

kolin
air conditioner

works
for
years
●●●

OWNER'S MANUAL

Window Type Air Conditioner

e-series

Model: KAG-60HME4

Thank you for choosing our product.
For proper operation, please read and keep this manual carefully.

If you have lost the Owner's Manual, please contact the local agent or visit www.kolinphil.com.ph.

TABLE OF CONTENTS

AIR CONDITIONER SAFETY	1	AIR CONDITIONER CARE	7
AIR CONDITIONER USE.....	3	Cleaning the Air Filter	7
Starting Your Air Conditioner	4	Cleaning the Front Panel.....	7
Normal Sounds.....	7	Repairing Paint Damage	7
		Annual Maintenance.....	7
		TROUBLESHOOTING	8

NOTICE:

This appliance is not intended for use by persons (including children) with reduced physical, sensory or mental capabilities, or lack of experience and knowledge, unless they have been given supervision or instruction concerning use of the appliance by a person responsible for their safety.

Children should be supervised to ensure that they do not play with the appliance.

This appliance can be used by children aged from 8 years and above and persons with reduced physical, sensory or mental capabilities or lack of experience and knowledge if they have been given supervision or instruction concerning use of the appliance in a safe way and understand the hazards involved. Children shall not play with the appliance. Cleaning and user maintenance shall not be made by children without supervision.

AIR CONDITIONER SAFETY

Your safety and the safety of others are very important.

We have provided many important safety messages in this manual and on your appliance. Always read and obey all safety messages.



This is the safety alert symbol.

This symbol alerts you to potential hazards that can kill or hurt you and others.

All safety messages will follow the safety alert symbol and either the word "DANGER" or "WARNING." These words mean:

⚠ DANGER

You can be killed or seriously injured if you don't immediately follow instructions.

⚠ WARNING

You can be killed or seriously injured if you don't follow instructions.

All safety messages will tell you what the potential hazard is, tell you how to reduce the chance of injury, and tell you what can happen if the instructions are not followed.

IMPORTANT SAFETY INSTRUCTIONS

WARNING: To reduce the risk of fire, electrical shock or injury when using your air conditioner, follow these basic precautions:

- Plug into a grounded 3 prong outlet.
- Do not use an extension cord.
- Do not remove ground prong.
- Unplug air conditioner before servicing.
- Do not use an adapter.
- Use two or more people to move and install air conditioner.

SAVE THESE INSTRUCTIONS

Recommended ground method

For your personal safety, this air conditioner must be grounded. This air conditioner is equipped with a power supply cord having a grounded 3 prong plug. To minimize possible shock hazard, the cord must be plugged into a mating, grounded 3 prong outlet, grounded in accordance with all local codes and ordinances. If a mating outlet is not available, it is the customer's responsibility to have a properly grounded 3 prong outlet installed by a qualified electrical installer.

It is the customer's responsibility:

- To contact a qualified electrical installer.
- To assure that the electrical installation is adequate and in conformance with National Electrical Code, ANSI/NFPA 70 - latest edition, and all local codes and ordinances.

Copies of the standards listed may be obtained from:

National Fire Protection Association
One Batterymarch Park
Quincy, Massachusetts 02269

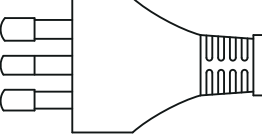
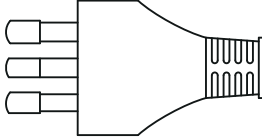
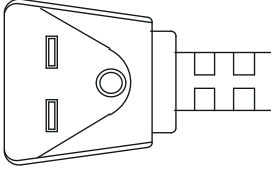
⚠ WARNING



Electrical Shock Hazard

Plug into a grounded 3 prong outlet.
Do not remove ground prong.
Do not use an adapter.
Do not use an extension cord.
Failure to follow these instructions can result in death, fire, or electrical shock.

The electrical ratings for your air conditioner are listed on the model and serial number label. The model and serial number label is located behind the front panel above the coil area. Specific electrical requirements are listed in the chart below. Follow the requirements for the type of plug on the power supply cord.

Power supply cord	Wiring requirements
	127 volt (103.5 min. -126.5 max.) 0- 15amps 15-amp time-delay fuse or circuit breaker Use on single outlet circuit only.
	220 volt (198 min. - 242 max.) 0- 15amps 15-amp time-delay fuse or circuit breaker Use on single outlet circuit only.
	230 volt(207min.-253max.) 230 volt(193min.-253max.) (GJC06BK-D3NMNE2A) 0- 15amps 15-amp time-delay fuse or circuit breaker Use on single outlet circuit only.

Drain water

To get the maximum cooling efficiency, the air conditioner is designed to splash the condensate on the condenser coil. If the splashing sound annoys you, you can provide an outside drain by using the following procedure, which may however cause a small loss of performance.

1. Remove the rubber plug from the body base plate.
2. Fix the drain water head to the chassis, and place the gasket on it. And install them with 2 screws -Figure 2. (Figure 1 for no use of draining water)



Figure 1

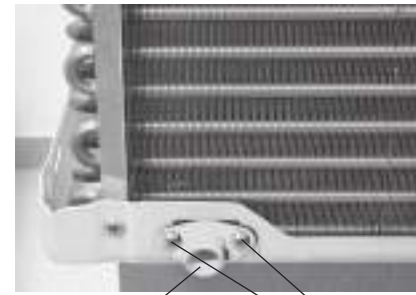


Figure 2

Drain water head 1

2 screws

3. Connect the drain water head 2 to the drain water head 1 (Figure 3)



Figure 3

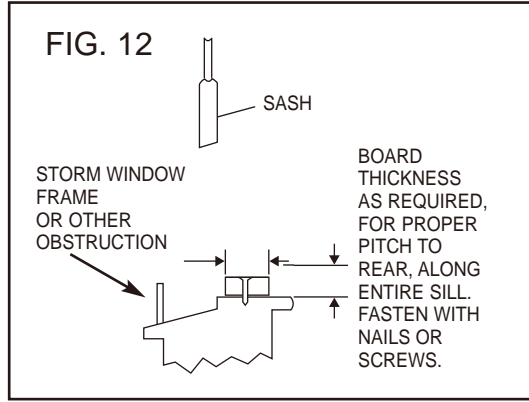
Drain water head 2

Note:

1. Drain hose or tubing can be purchased locally to satisfy your particular needs.
2. It is possible to connect the drain hose to the outlet without the drain pan.

If AC is Blocked by Storm Window

Add wood as shown in FIG. 12, or remove storm window before air conditioner is installed.



If Storm Window Frame must remain, be sure the drain holes or slots are not caulked or painted shut. Accumulated Rain Water or Condensation must be allowed to drain out.

Removing AC From Window

- * Turn AC off, and disconnect power cord.
- * Remove sash seal from between windows, and unscrew safety lock.
- * Remove screws installed through frame and frame lock.
- * Close (slide) side panels into frame.
- * Keeping a firm grip on air conditioner, raise sash and carefully “rock” air conditioner backward to drain any condensate water in base of unit. Be careful not to spill any remaining water while lifting unit from window. Store parts WITH air conditioner.

AIR CONDITIONER USE

Operating your air conditioner properly helps you to obtain the best possible results.

This section explains proper air conditioner operation.

IMPORTANT:

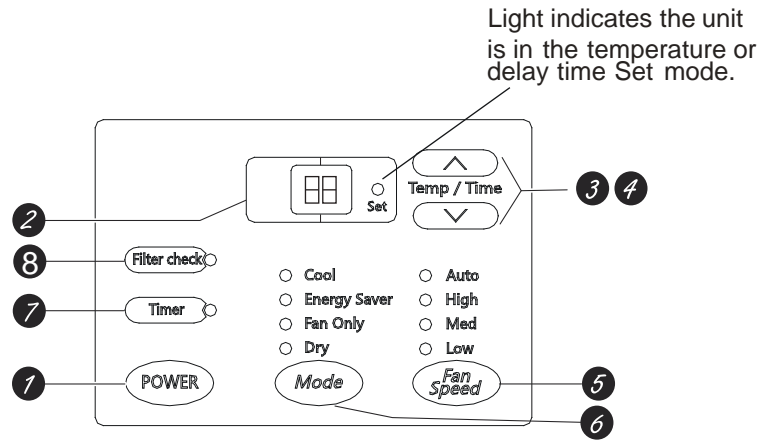
- If you turn off the air conditioner, wait at least 3 minutes before turning it back on. This prevents the air conditioner from blowing a fuse or tripping a circuit breaker.
- Do not try to operate your air conditioner in the cooling mode when outside temperature is below 65°F (18°C). The inside evaporator coil will freeze up, and the air conditioner will operate properly.

NOTE: In the event of a power failure, your air conditioner will operate at the previous settings when the power is restored.

Controls

Starting Your Air Conditioner —Digital Control

Lights next to the touch pads on the air conditioner control panel indicate the selected settings.

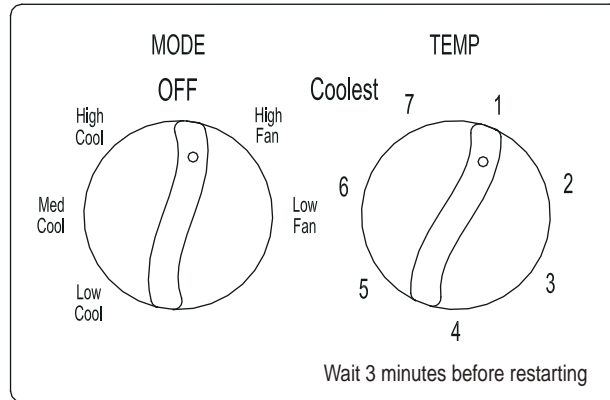


Air Conditioner Controls

- 1** Power Pad
Turns air conditioner on and off.
- 2** Display
 1. Under ON status without timer setting, the operation mode is Auto, Cool, Energy Saver or Dry mode, and the set temperature will be displayed.
 2. Under ON status without timer setting, the operation mode is Fan only mode and the ambient temperature will be displayed.
 3. Time will be displayed under timer setting or timer preview.
- 3** Temp Increase ▲ / Decrease ▼ Pads Use to set temperature when in Cool, Energy Saver or Dry mode. The Setlight will turn on while setting.
- 4** Timer Increase ▲ / Decrease ▼ Pads Each touch of the Increase ▲ / Decrease ▼ pads on the unit will set the delay time when using the Timer pad on the unit. when using the Timer pad on the unit. The Setlight will turn on while setting.
- 5** Fan Speed Pads
Use to set the fan speed to Low, Med, High or Auto on the unit.
- 6** Mode Pad
Use to set the air conditioner to Cool, Energy Saver, Fan Only, Dry or Auto mode,
- 7** Timer Pad
Timer ON can be set under off state of unit. If timer ON reaches, the system will run under previous setting mode.
The setting range is 0.5~24hr.
Timer OFF can be set under on state of unit. If timer OFF reaches, the unit will turn off.
The timer can be set in 0.5 hour increment below hours and in 1 hour increment for 10 hours or above.
- 8** Filter check Pad
After fan rotates for 250h totally, lamp of cleaning filter is on to remind customer clean it.
Note: When user cleaned the filter, press Filter check button to clear the operation time. Mean while, the warning indicator will turn off.

Air Conditioner Features

Features and appearance will vary.



Controls

The air conditioner controls are located behind the control panel door. Press to open and close the door.

Mode Control

provide cooling with different fan speeds.

Fan settings provide air circulation and filtering without cooling.

NOTE: If you move the mode control from a cool setting to OFF or to a fan setting, wait at least 3 minutes before switching back to a cool setting.

Cooling Descriptions

For Normal Cooling—Select High Cool or Med Cool with the TEMPERATURE control at midpoint.

For Maximum Cooling—Select High Cool with the TEMPERATURE control at the highest number available on your knob.

For Quieter & Nighttime Cooling—Select Low Cool with the TEMPERATURE control at midpoint.

TEMP Control

The TEMP control is used to maintain the room temperature. The compressor will cycle on and off to keep the room at the same level of comfort. When you turn the knob to a higher number, the indoor air will become cooler. Turn the knob to a lower number and the indoor air will become warmer.

Normal Sounds

When your air conditioner is operating normally, you may hear sounds such as:

- Droplets of water hitting the condenser, causing a pinging or clicking sound. The water droplets help cool the condenser.
- Air movement from the fan.
- Clicks from the thermostat cycle.
- Vibrations or noise due to poor wall or window construction.
- A high-pitched hum or pulsating noise caused by the modern high-efficiency compressor cycling on and off.

Cleaning the Front Panel

1. Unplug air conditioner or disconnect power.
 2. Clean front panel with a soft, damp cloth.
 3. Air dry front panel completely.
 4. Plug in air conditioner or reconnect power.
-

Repairing Paint Damage

Check once or twice a year for paint damage. This is very important, especially in areas near oceans or where rust is a problem. If needed, touch up with a good grade enamel paint.

NOTE: To reduce paint damage during the winter, install a heavy-duty cover over air conditioner cabinet. For information on ordering a heavy-duty cover, see "Accessories."

AIR CONDITIONER CARE

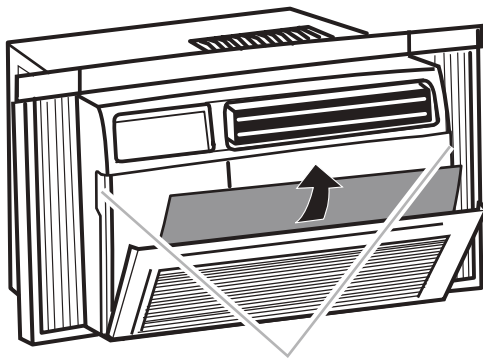
Your new air conditioner is designed to give you many years of dependable service. This section tells you how to clean and care for your air conditioner properly. Call your local authorized dealer for an annual checkup. Remember... the cost of this service call is your responsibility.

Cleaning the Air Filter

The air filter is removable for easy cleaning. A clean filter helps remove dust, lint, and other particles from the air and is important for best cooling and operating efficiency. Check the filter every 2 weeks to see whether it needs cleaning.

NOTE: Do not operate the air conditioner without the filter in place.

1. Turn off air conditioner.
2. Remove air filter by pulling down on the indents in the top or sides of filter door and sliding air filter up and out. Filter door is not removable.



A
A. Indents

3. Use a vacuum cleaner to clean air filter. If air filter is very dirty, wash it in warm water with a mild detergent. Do not wash air filter in the dishwasher or use any chemical cleaners. Air dry filter completely before replacing to ensure maximum efficiency.
4. Replace air filter by sliding filter down into filter door and closing filter door.

Annual Maintenance

Your air conditioner needs annual maintenance to help ensure steady, top performance throughout the year. Call your local authorized dealer to schedule an annual checkup. The expense of an annual inspection is your responsibility.

TROUBLESHOOTING

You can solve many common air conditioner problems easily, saving you the cost of a service call. Try the suggestions below to see whether you can solve your problem without outside help.

Air conditioner will not operate

- The power supply cord is unplugged. Plug into grounded 3 prong outlet. See “Electrical Requirements.”
 - The power supply cord trips (Reset button will pop out). Press and release RESET (listen for click; Reset button will latch and on some devices, a green light will turn on) to resume operation.
 - A household fuse has blown or circuit breaker has tripped. Replace the fuse or reset the circuit breaker. See “Electrical Requirements.”
 - Depending on model, the Power button has not been pressed or the Fan Speed control is turned to Off. Press POWER button or turn the FAN SPEED control to an active setting.
 - The local power has failed. Wait for power to be restored.
-

Air conditioner blows fuses or trips circuit breakers

- Too many appliances are being used on the same circuit. Unplug or relocate appliances that share the same circuit.
 - Time-delay fuse or circuit breaker of the wrong capacity is being used. Replace with a time-delay fuse or circuit breaker of the correct capacity. See “Electrical Requirements.”
 - An extension cord is being used. Do not use an extension cord with this or any other appliance.
 - You are trying to restart the air conditioner too soon after turning the unit off. Wait at least 3 minutes after turning the unit off before trying to restart the air conditioner.
-

Air conditioner power supply cord trips (Reset button pops out)

- Disturbances in your electrical current can trip (Reset button will pop out) the power supply cord. Press and release RESET (listen for click; Reset button will latch and on some devices, a green light will turn on) to resume operation.
- An electrical overloading, overheating, pinching or aging can trip (Reset button will pop out) the power supply cord. After correcting the problem, press and release RESET (listen for click; Reset button will latch and on some devices, a green light will turn on) to resume operation.

NOTE: A damaged power supply cord must be replaced with a new power supply cord obtained from the product manufacturer. A damaged power supply cord must not be repaired.

Air conditioner seems to run too much

- The current air conditioner replaced an older model. The use of more efficient components may cause the air conditioner to run longer than an older model, but the total energy consumption will be less. Newer air conditioners do not emit the “blast” of cold air you may be accustomed to from older units, but this is not an indication of lesser cooling capacity or efficiency. Refer to the efficiency rating (EER) and capacity rating (in BTU/hr.) marked on the air conditioner.

- The air conditioner is in a heavily occupied room, or heat-producing appliances are in use in the room. Use exhaust vent fans while cooking or bathing and try not to use heat-producing appliances during the hottest part of the day. A higher capacity air conditioner may be required, depending on the size of the room being cooled.
-

Air conditioner cycles on and off too much or does not cool

- The Mode is set to Power Saver (on some models). Use Power Saver only when you are away from home or asleep, since the fan does not circulate the room air continuously. Use a fan speed for your best comfort.
 - The air conditioner is not properly sized for your room. Check the cooling capabilities of your room air conditioner. Room air conditioners are not designed to cool multiple rooms.
 - The filter is dirty or obstructed by debris. Clean the filter.
 - The inside evaporator and outside condenser coils are dirty or obstructed by debris. See “Annual Maintenance.”
 - There is excessive heat or moisture (open container cooking, showers, etc.) in the room. Use a fan to exhaust heat or moisture from the room. Try not to use heat-producing appliances during the hottest part of the day.
 - The louvers are blocked. Install the air conditioner in a location where the louvers are free from curtains, blinds, furniture, etc.
 - The outside temperature is below 65°F (18°C). Do not try to operate your air conditioner in the cooling mode when the outside temperature is below 65°F (18°C).
 - The temperature of the room you are trying to cool is extremely hot. Allow extra time for the air conditioner to cool off a very hot room.
 - Windows or doors to the outside are open. Close all windows and doors.
 - The Exhaust control is set to OPEN (on some models). Push the Exhaust control CLOSED for maximum cooling.
 - Depending on model, the Temp/Time or Temperature control is not at a cool enough setting. Adjust the TEMP/TIME control to a cooler setting by pressing the minus button to reduce the temperature or adjust the TEMPERATURE control to a cooler setting by turning the knob clockwise. Set the FAN SPEED control to highest setting (Turbo or High, depending on model).
-

Water drips from cabinet into your house

- The air conditioner is not properly leveled. The air conditioner should slope slightly downward toward the outside. Level the air conditioner to provide a downward slope toward the outside to ensure proper drainage. See the Installation Instructions.

NOTE: Do not drill a hole in the bottom of the metal base and condensate pan.



SERVICE CENTERS

Branch	Address	Tel. No.
Cavite	Block 3 Lot 5 Main Drive FCIE Compound, Langkaan 1, Dasmariñas, Cavite	(046) 402-0793
Bacolod	Door A-2 and A-3 UTC Building, Alunan St., Barangay Singcang, Bacolod City	(034) 433-0031
Cagayan de Oro	Door #3 De Oro Land Building, Julio Pacana St., Puntod, Cagayan de Oro	(088) 856-4672
Cebu	Unit #6 A, Geson Building, D. Jakosalem corner F. Ramos Sts., Cebu City	(032) 253-9997
Dagupan	107 Caranglaan District, Dagupan City	(075) 523-2832
Davao	Door #5 Belle Fran Arcade, E. Palma Gil St., Bo. Obrero, Davao City	(082) 227-7063
Iloilo	Door #4, TDK Realty Devt. Corp. Bldg., South Fundedor St., Brgy. Fundedor, Molo, Iloilo City	(033) 336-1970
Pampanga	Mexico Gold Commercial and Residential Building, Jose Abad Ave., Lagundi, Mexico, Pampanga	(045) 455-2934
Zamboanga	Door #5, Varmall Building, Veterans Avenue, Zamboanga City	(062) 992-2493

KOLIN PHILIPPINES INTERNATIONAL, INC.

OFFICE

Kolin Building, 1854 Sta. Rita Street,
Guadalupe Nuevo, Makati City.
Service Hotline: (02) 852-6868

PLANT

Block 3 Lot 5 Main Drive,
First Cavite Industrial Estate,
Langkaan 1, Dasmariñas, Cavite.
Tel. No. (046) 402-0690
Fax. No. (046) 402-0793