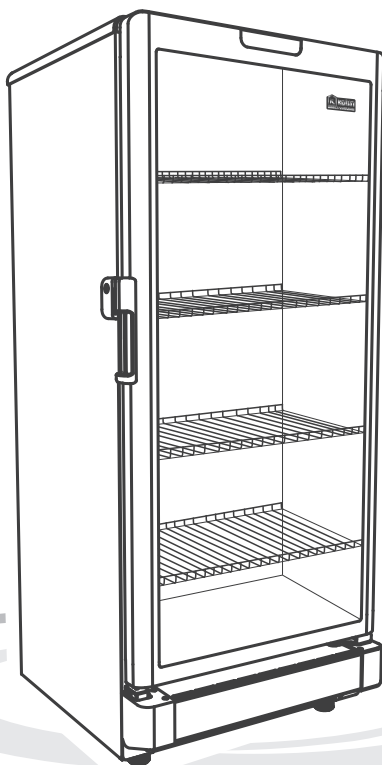




**kolin**

## **OWNER'S MANUAL**



# **SHOWCASE CHILLER**

## **DIRECT COOLING**

**KSD-200MG1 and KSD-240MG1**



**Kolin Phils. Int'l, Inc.**

Please read this owner's manual before operation and retain it for future reference.

# TABLE OF CONTENTS

---

	PAGE
I. Important Safety Instructions. . . . .	1
II. Transportation and Placement. . . . .	3
III. Product Features. . . . .	4
IV. Opearation of the Temperature Control Knob and Electronic Temperature Control. . . . .	6
V. Electrical Connection . . . . .	6
VI. Details of Product . . . . .	7
VII. Caution for Safety. . . . .	7
VIII. Caution for Use. . . . .	8
IX. Ordinary Troubles and Remedies. . . . .	8
X. Correct Disposal of this Product. . . . .	9

---

Please carefully read and retain the Manual for reference before using the product. The manual has undergone thorough verification, but in the event of any misprints or misleading information, we reserve the right to provide the correct interpretation. Additionally, please note that our products are subject to continuous updates, which may include changes in technology, appearance, color, etc., without prior notice. The actual product and its nameplate will always take precedence. Any changes will be reflected in the updated version of the Manual.

---

## TO USERS

---

Thank you for choosing KOLIN as your trusted brand for a showcase chiller. We appreciate your confidence in our products. Before installing and using the showcase chiller, we kindly request you to carefully read and understand this instruction manual. This will enable you to effectively utilize and operate the product to its fullest potential. We aim to provide clear guidance and instructions for your convenience.

---

## I. IMPORTANT SAFETY INSTRUCTIONS

---

### ● Operating Voltage Range:

- The operating voltage range is 187V~250V. To avoid damaging the electrical performance of the compressor, please use a Voltage Stabilizer appliance with a power rating of not less than 500W to protect the Cooler when the voltage is lower than 187V or higher than 250V.

### ● Electrical Socket Requirements:

- Use an individual single-phase socket reliably connected to a grounding wire.



**CAUTION** The grounding wire must not be connected to a water pipe or a gas pipe.

### ● Prohibited Items:

- Do not store strong base, strong acid, organic solvent, corrosive goods, or items that are prone to polluting food in the showcase, as it can cause corrosiveness or accidents.

### ● Handling Caution:

- Avoid raising the showcase or the shell of the electric parts, as it may result in insulation decline and corrosion.

### ● Long-Term Storage:

- When the showcase will be out of use for a long time, disconnect the power first, then clean it. Please examine the circuit to ensure it is functioning properly before reuse.

### ● Damaged Supply Cord:

- If the supply cord is damaged, it must be replaced by a special cord or assembly available from the manufacturer or its service agent.

### ● Disconnect During Maintenance:

- The appliance shall be disconnected from its power source during cleaning or maintenance and when replacing parts.

### ● Noise Level:

- The A-weighted emission sound pressure level is below 70Db(A).

### ● Explosive Substances:

- Do not store explosive substances such as aerosol cans with a flammable propellant inside the appliance.

### ● Fire Risk Warning:

- Take care to avoid causing a fire by igniting flammable materials.

### ● Disposal Instructions:

- Please comply with local regulations regarding the disposal of the appliance and its flammable blowing gas. Before scrapping the appliance, remove the doors to prevent children from getting trapped.

● **Ventilation:**

-Keep all ventilation openings in the appliance enclosure or in the structure for building-in clear of obstructions.

● **Defrosting Caution:**

-Do not use mechanical devices or other means to accelerate the defrosting process, other than those recommended by the manufacturer.

● **Refrigerant Circuit Caution:**

-Do not damage the refrigerant circuit.

● **Electrical Appliances:**

-Do not use electrical appliances inside the food storage compartments of the appliance unless they are of the type recommended by the manufacturer.

-Do not use an adapter.



## REFRIGERANT SAFETY INSTRUCTIONS DANGER

We strongly recommend that any servicing be performed by a qualified individual.

- R600a refrigerant, this gas is natural gas with high environmental compatibility that is, however, also combustible. When transporting and installing the appliance, care should be taken to ensure that no parts of the refrigerating circuit are damaged.
- Refrigerant squirting out of the pipes could ignite or cause an eye injury. If a leak is detected, avoid any naked flames or potential sources of ignition and air the room in which the appliance is standing for several minutes.

The ambient temperature and humidity conditions of the show case climate class following the tab below:

Test Room Climate Class	Dry Bulb Temperature (°C)	Relative Humidity (%)	Dew Point (°C)	Water Vapour Mass in Dry Air (g/kg)
0	20	50	9.3	7.3
1	16	80	12.6	9.1
8	23.9	55	14.3	10.2
2	22	65	15.2	10.8
3	25	60	16.7	12.0
4	30	55	20.0	14.8
6	27	70	21.1	15.8
5	40	40	23.9	18.8
7	35	75	30.0	27.3

*NOTE: The water vapour mass in dry air is one of the main factors influencing the performance and energy consumption of the cabinets. Therefore, the order of the climate class in the table is based on the water vapour mass column. Refer to Annex B for comparison of lab and store conditions.*

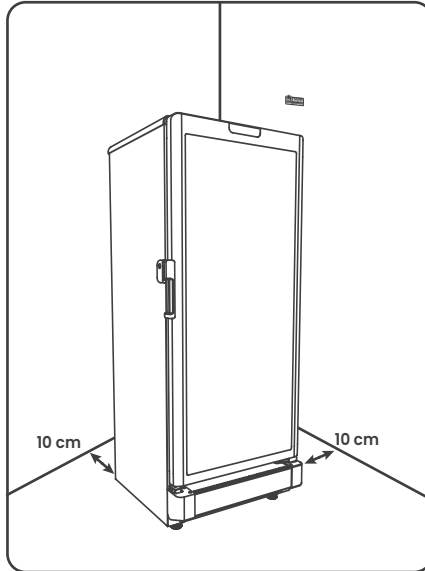
## II. TRANSPORTATION AND PLACEMENT

### 1. Unpacking and Cleaning:

- Remove all packaging materials and clean the cabinet using warm water with 5% neutral soap. Dry the cabinet thoroughly with a soft cloth. For glass parts, use specific products recommended for glass cleaning to avoid leaving limestone residues.

### 2. Placement and Distance:

- Maintain a minimum distance of 10 cm from the wall. Ensure the unit is level by adjusting the feet accordingly.



*Note: Product Space Demand Size Schematic Diagram*

### 3. Surface and Heat Source:

- Install the cabinet on a perfectly even surface, avoiding placement near any heat sources, including direct sunlight.

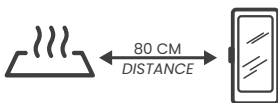
### 4. Protection from Elements:

- Do not install the unit in open areas or expose it to rain.

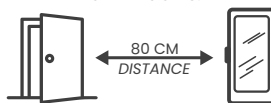
## CHOOSING THE INSTALLATION LOCATION

The unit is intended for indoor application only. Due to its glass door, the unit's performance can be significantly affected by environmental conditions. To minimize these effects, please consider the following recommendations:

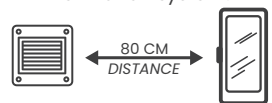
**Avoid Heat Sources:** Place the unit away from any heat sources.



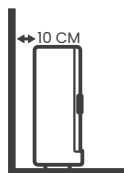
**Avoid Air Streams:** Keep the unit clear of air streams produced by ventilation fans, open doors, or windows.



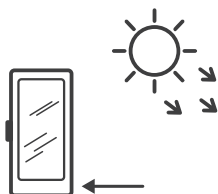
**Avoid Roof-Mounted Ventilation:** Do not position the unit under a roof-mounted ventilation system.



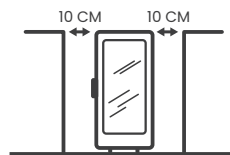
**Provide Adequate Space:**  
Ensure the unit has sufficient space for ventilation, particularly at the rear, to allow for proper airflow.



**Avoid Direct Sunlight:** Position the unit away from direct sunlight to prevent overheating.



**Clear Ventilation Openings:**  
Ensure all ventilation openings in the appliance enclosure or structure remain unobstructed.



**Professional Installation:** To reduce fire hazard, only a suitably qualified person should carry out the installation of this appliance.

## BEFORE USING THE UNIT:

- Remove the exterior and interior packing.
- Before connecting the unit to the power source, let it stand upright for approximately 2 hours. This will reduce the possibility of a malfunction in the cooling system from handling during transportation.

## LEVELING THE UNIT

### 1. Placement:

- Position the unit at the chosen location.

### 2. Check Level:

- Using a spirit level, verify if the unit is leveled in both directions. Place the spirit level on one of the shelves.

### 3. Importance of Leveling:

- It is essential to ensure that the unit is leveled during operation. This helps prevent possible ice formation on the evaporator's fins due to insufficient drainage of condensates.

### 4. Tilt Adjustment:

- Tilt the unit by a 2° angle to facilitate the easy closing of the door and drainage.

## III. PRODUCT FEATURES

### 1. Quality Compressor:

- The unit utilizes a high-quality, efficient, and hermetic compressor with a broad range of starting voltage.
- It is suitable for ambient temperatures not exceeding 40°.
- The chiller system is designed to ensure powerful refrigerating ability and energy savings through reasonable matching.

### 2. Double Glass Door:

- The door is made of double glass, providing excellent insulation and reducing energy loss.
- This feature ensures a clear display of stored goods while maintaining internal temperatures.

### 3. Thermal Insulation:

- The chiller's thermal insulation layer is made from hard polyurethane foamed plastics.

- This provides a lightweight design and excellent ability to maintain cold temperatures.

#### 4. Anti-Moisture on Glass Door:

- The chiller features an anti-moisture system that prevents condensation on the glass door, ensuring a clear view of the stored items and maintaining a clean appearance.

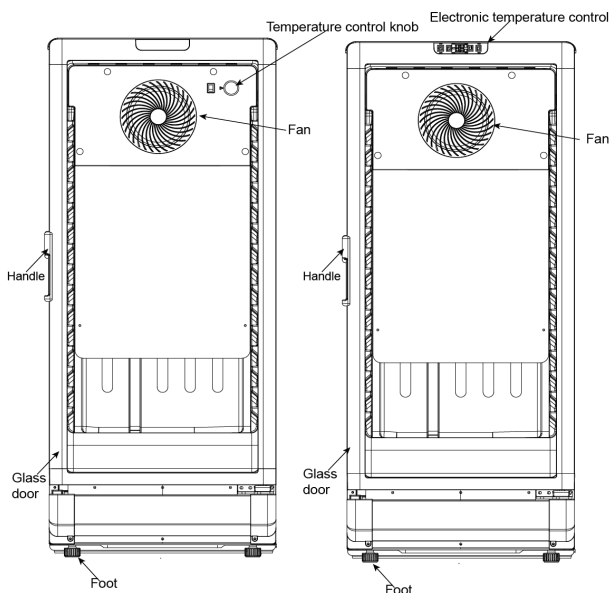
#### 5. Even Cooling:

- The unit ensures even cooling throughout the interior, preventing hot spots and maintaining a consistent temperature for all stored goods.

#### 6. Digital Temperature Display:

- The chiller is equipped with a digital temperature display that shows the current internal temperature.
- This feature allows for easy monitoring and precise control of the storage conditions, ensuring optimal temperature management for your stored items.

## DETAILS OF PRODUCT

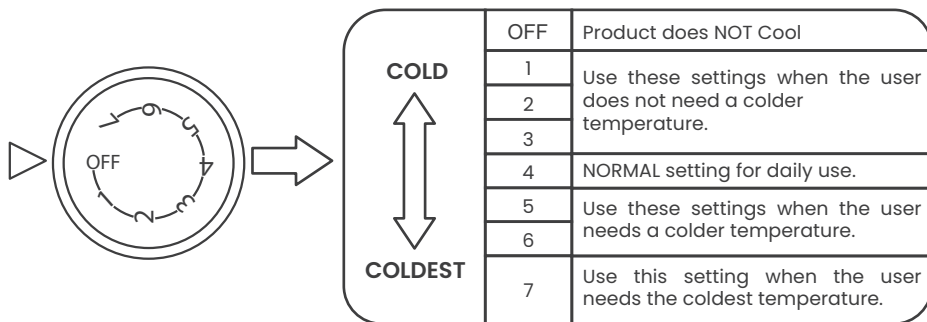


Due to technological innovation, the descriptions of the product in this manual may not be completely consistent with your upright showcase. Details are in accordance with the actual materials used.

## IV. OPERATION OF THE TEMPERATURE CONTROL KNOB

### TEMPERATURE CONTROL KNOB:

- The temperature inside the cabinet can be controlled using the temperature control knob.
- Keep the knob upright to adjust the temperature normally. The "FREEZING MAX" position provides the strongest cooling and is suitable for fast freezing. Avoid leaving the knob at this position for an extended period.

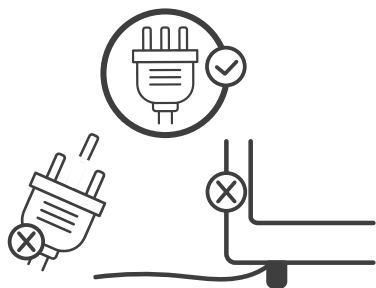


## V. ELECTRICAL CONNECTION

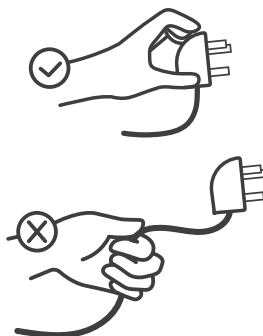
### ⚠ WARNING



1. Never cut or remove the third ground prong from the power cord provided. This refrigerator appliance is not designed for use with an inverter. Ensure the cord is secured behind the appliance to prevent accidental injury and not left exposed or dangling.



2. Always grip the plug firmly and pull straight out from the receptacle to unplug the refrigerator (freezer). Never pull the power cord.

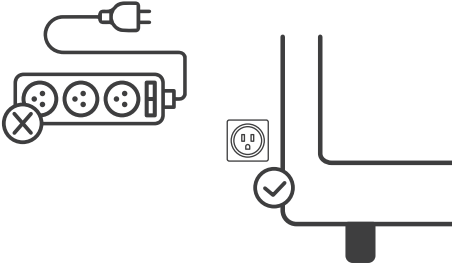




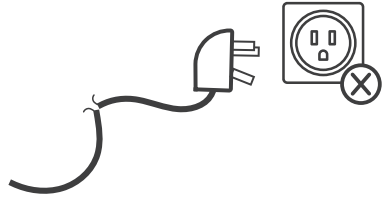
## ⚠ WARNING



3. Avoid using an extension cord with this appliance. If the power cord is too short, have a qualified electrician or service technician install an outlet near the appliance. Using an extension cord can adversely affect the unit's performance.



4. Improper use of the grounded plug can result in the risk of electrical shock. If the power cord is damaged, have it replaced by an authorized service center.



## VI. DETAILS OF PRODUCT

- The unit features a quality, effective, and hermetic compressor with a broad range of starting voltage. Suitable ambient temperature should not exceed 40°C. The reasonable matching of the showcase system guarantees powerful refrigerant ability and energy savings.
- Goods stored can be clearly displayed through the door made of luxurious hollow glass.
- The showcase's thermal insulation layer, made from hard polyurethane foamed plastics, ensures lightweight design and excellent ability to maintain cold temperatures.

## VII. CAUTION FOR SAFETY

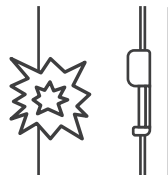
### ⚠ WARNING



1. Do not damage the cooling fluid circuit.



2. Avoid damaging the walls of the machine, as it may affect the cooling fluid circuit.



## ⚠ WARNING



**WARNING!**

3. Do not use electrical appliances inside the food storage compartments unless they are recommended by the manufacturer.



**WARNING!**

4. The equipment should not be used by individuals (including children) with reduced physical, sensory, or mental capacities, unless supervised by someone responsible for their safety.



## VIII. CAUTION FOR USE

- Unpack all packages before using the showcase. Do not bend it over more than 60° while moving.
- During initial operation, allow the refrigerator to run empty for about two hours before storing food.
- To save energy, avoid frequently opening the door or leaving it open for an extended period.
- Keep the surface and inside of the showcase dry and clean to prevent rust. Periodic cleaning is recommended every 30-45 days using a soft cloth and neutral soap or detergent. Remember to pull out the power plug before cleaning to ensure safety.
- Do not block the axial fan blower.

## IX. ORDINARY TROUBLES AND REMEDIES

Breakdown	Case	Removal Method
The indicator is not on. The compressor does not start.	The plug isn't connected to the socket really.	Re-plug it.
	No power.	Connect the socket with power.
The indicator is on, but the compressor doesn't work and only buzzes.	The power voltage is less than 187V.	Put a power regulator more than 1000W power together.
The compressor stops a minute after starting and restarts after a few minutes, repeating this cycle.	The power voltage is more than 250V.	

The compressor works normally, but the temperature in the cabinet lowers too slowly.	The door is opened too frequently.	Reduce the number of times it is opened.
	There is too much food in the cabinet, and it is not placed properly.	Properly place the food to allow for ventilation of cold air.
	The frost film is too thick.	Remove the food and defrost the cabinet.
	The surface of the condenser is too dirty.	Stop the unit and clean the condenser.
	The door seals poorly.	Adjust the door seal.
The noise is too loud.	The refrigerator is placed unstably.	Place it in a stable position.
	The fixing of the refrigerator is loose.	Tighten the fixing.
	There is contact between pipes.	Separate them.

**Notice:** The following cases are not considered troubles but common phenomena:

1. Slight vibration in the upright freezer showcase.
2. Compressor and condenser become hot during operation.
3. If the ambient humidity is high, dewdrops may appear on the surface. Clean them promptly with a soft, dry cloth.

## X. CORRECT DISPOSAL OF THIS PRODUCT



This marking indicates that this product should not be disposed with other household wastes throughout the EU. To prevent possible harm to the environment or human health from uncontrolled waste disposal, recycle it responsibly to promote the sustainable reuse of material resources. To return your used device, please use the return and collection systems or contact the retailer where the product was purchased. They can take this product for environmental safe recycling.

**The design and specifications are subject to change without prior notice for product improvement. Any updates to the manual will be uploaded to the service website, please check for the latest version.**

If you have any concerns, please contact us at the following:

Customer hotline: **(02) 8852-6868**  
Text hotline: **+63 917-881-8982**  
Email: **customerservice@kolinphil.com.ph**

Also, please like and follow us on social media accounts:

Facebook: kolinphilippines  
Instagram: kolinphilippines  
Youtube: kolinphilippines  
Tiktok: kolinphilippines  
Website: [www.kolinphil.com.ph](http://www.kolinphil.com.ph)

**KPII072024**



# Kolin Phils. Int'l., Inc.

## SERVICE CENTERS

BRANCH	ADDRESS	TEL. NO.
Bacolod	Door #A-2 & A-3 UTC Bldg., Alunan St., Brgy. 36, Bacolod City	(034) 466-9145
Cagayan De Oro	Door #3 De Oro Land Bldg., Julio Pacana St., Puntod, Cagayan de Oro City	(088) 557 - 7353
Cebu	Lot 758-B-1, P. Suico St. Upper Tabok, Mandaue City, Cebu	(032) 234 - 1844
Dagupan	Unit #1 107 Caranglaan District, Dagupan City, Pangasinan	(075) 529 - 0587
Davao	Blk 17 Lot 9, Calamansi St., Juna Subd., Matina, Davao City	(082) 272 - 0048
Iloilo	Door# 4,5 & 7, D' Appliance Arcade, South Fundidor, Molo, Iloilo City	(033) 337 - 5914
Pampanga	LRK Commercial Bldg., Jose Abad Ave., Lagundi, Mexico, Pampanga	(045) 455 - 2934

For More air conditioner tips, please like, share and follow us on our social media accounts:

Facebook : [kolinphilippines](#)  
Instagram : [kolinphilippines](#)  
Youtube : [kolinphilippines](#)  
Tiktok : [kolinphilippines](#)  
Website : [www.kolinphil.com.ph](http://www.kolinphil.com.ph)

### OFFICE

Kolin Bldg. 1854 Sta. Rita St.,  
Guadalupe Nuevo, Makati City, 1212  
Service Hotline: (632) 8852 - 6868

### PLANT

Blk 3 Lot 5, Main Drive First Cavite  
Industrial Estate, Langkaan 1,  
Dasmariñas City, Cavite  
Tel. No.: (046) 402-0793