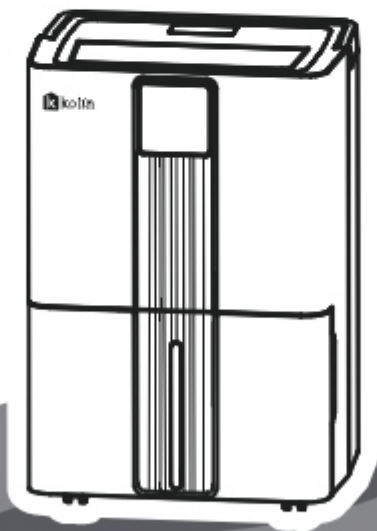




OWNER'S MANUAL

DC SYSTEM
Dehumidifier



MODEL:
KD-30L410

 **Kolin Phils. Int'l, Inc.**

Please read this owner's manual before operation and retain it for future reference.

TABLE OF CONTENTS

I. Introduction: Overview of the Product	1
II. Safety Instructions	1
III. Product Overview	2
IV. Circuit Diagram	3
V. Product Specification	4
VI. Installation	4
VII. Operation	5
VIII. Drainage	7
IX. Maintenance	8
X. Troubleshooting	9
XI. Decommissioning	10

Please carefully read and retain this manual for future reference. This manual has undergone thorough verification, but in the event of any misprints or misleading information, we reserve the right to provide the correct interpretation. Additionally, please note that our products are subject to continuous updates, which may include changes in technology, appearance, color, etc., without prior notice. The actual product and its nameplate will always take precedence. Any changes will be reflected in the updated version of the manual.




I. INTRODUCTION: OVERVIEW OF THE PRODUCT

Dehumidifier Inverter

Thank you for choosing the Kolin Dehumidifier Inverter. The Dehumidifier Inverter is a high-performance device designed to efficiently remove excess moisture from indoor spaces while ensuring energy savings. Equipped with inverter technology, it adjusts its operation to maintain optimal humidity levels, reducing power consumption. Experience convenience and efficiency with the Kolin Dehumidifier Inverter, your ultimate solution for moisture control.

II. SAFETY INSTRUCTIONS

Your safety is our priority!

 WARNING	Please read this manual carefully and fully understand before operating your dehumidifier.
 CAUTION	This symbol shows that the operation manual should be read carefully.
 CAUTION	This symbol shows that information is available such as the operating manual or installation manual.

⚠ WARNING: To reduce the risk of fire, electric shock or injury to persons or property:

- If the power cord is damaged, it must be replaced by the manufacturer, its service agent, or similarly qualified personnel to avoid hazards.
- Disconnect the appliance from the power source during maintenance.
- Always operate the unit using a power source of the same voltage, frequency, and rating indicated on the product label.
- Use a grounded power outlet.
- Unplug the power cord when cleaning or not in use.
- Do not operate the unit with wet hands. Prevent water from spilling onto the unit.
- Do not immerse the unit in water or expose it to rain or liquids.
- Never leave the unit running unattended or tilt it during operation.
- Avoid unplugging the unit while it is operating or by pulling on the cord.
- Do not use extension cords or adapter plugs.
- Keep objects off the unit, and do not climb or sit on it.
- Avoid inserting fingers or objects into the air outlet.
- Do not touch the air inlet or aluminum fins.
- Discontinue use if the unit is dropped, damaged, or malfunctioning.
- Clean the appliance with a soft cloth and water only; avoid chemicals.
- Keep the unit away from fire, flammable materials, or explosive objects.
- Install the unit per national wiring regulations.
- Follow manufacturer-recommended methods for defrosting or cleaning.

- Store the appliance in a well-ventilated room, away from continuous ignition sources (e.g., open flames, gas appliances, or heaters).
- Protect the appliance from mechanical damage during storage.
- Do not pierce or burn the unit, even after use.
- Be aware that refrigerants may not have an odor.
- Pipework must be protected from physical damage and installed only in ventilated spaces larger than 4m².
- Follow national gas regulations and keep ventilation openings unobstructed.
- Ensure the appliance is stored in a room of the appropriate size for ventilation requirements.

⚠ Refrigerant Handling: ⚠



This symbol shows that this appliance used a flammable refrigerant. If the refrigerant is leaked and exposed to an external ignition source, there is a risk of fire.

- Any person working on refrigerant circuits must hold a valid industry certificate authorizing them to handle refrigerants safely.
- Servicing and maintenance should be performed as recommended by the manufacturer, under the supervision of qualified personnel.

If you have questions or need assistance, contact our hotline number.

Electrical Device Checks

Repair and Maintenance:

- Ensure safety checks and component inspections are conducted before reconnecting electrical supply to the unit.
- If a fault compromising safety is found, do not connect the unit to the power supply until resolved.
- If immediate correction is not possible, implement a temporary safe solution and notify the equipment owner.

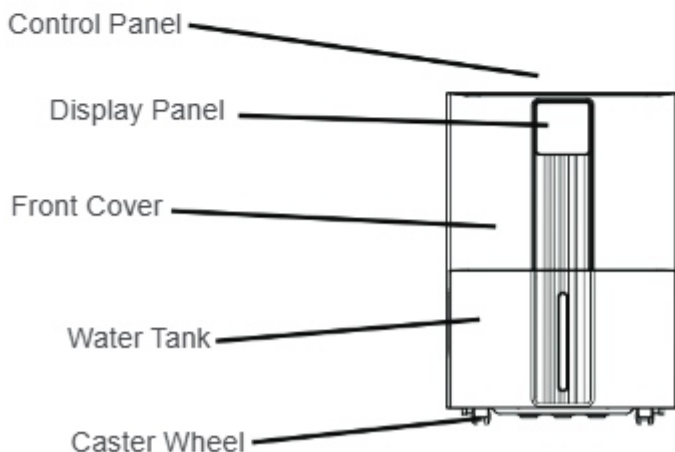
Initial Safety Checks:

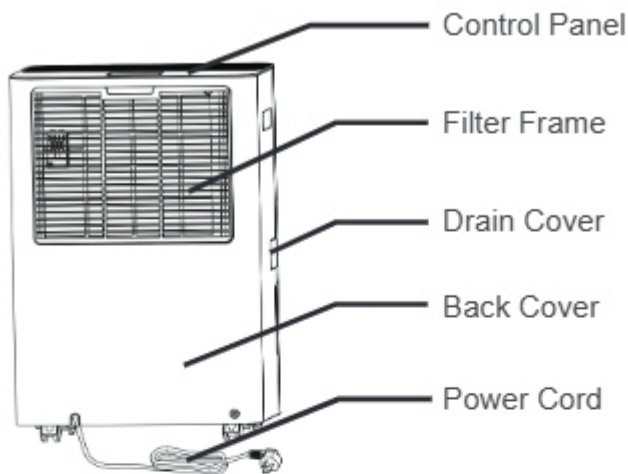
- Ensure capacitors are safely discharged to prevent sparking.
- Verify no live electrical components or exposed wiring are present during charging, recovering, or purging.
- Confirm earth bonding continuity for all electrical parts.

Note: Always have repairs and maintenance performed by qualified personnel to ensure safety compliance.

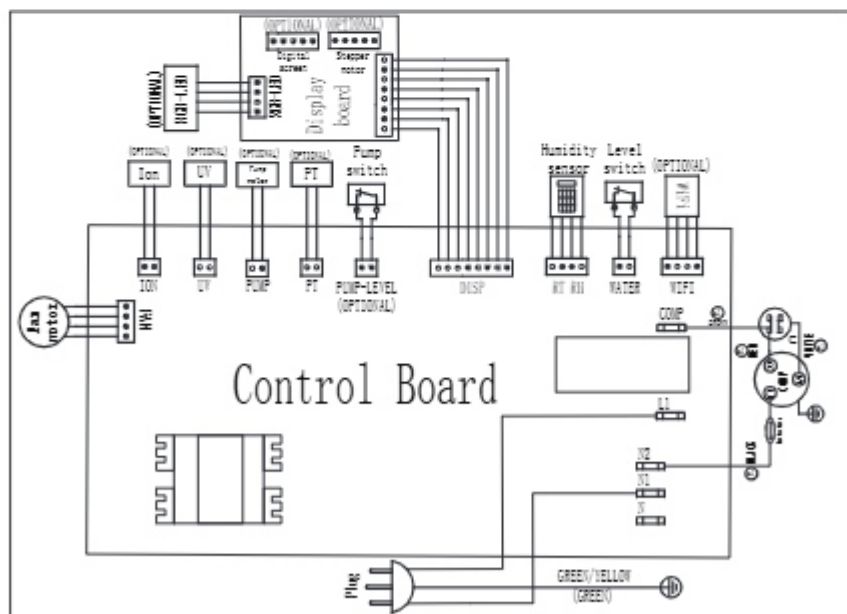
III. PRODUCT OVERVIEW

Product View





IV. CIRCUIT DIAGRAM



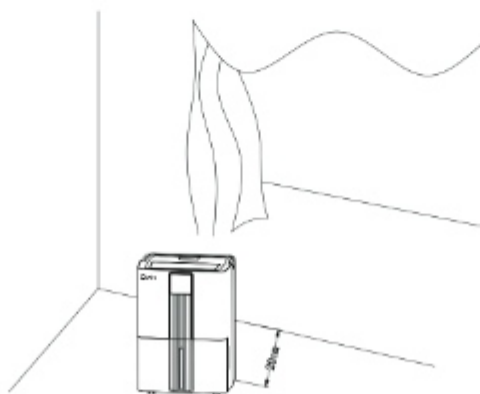
V. PRODUCT SPECIFICATION

KD-30L410	
Power Supply	1 Ph / 230 V~ / 60 Hz
Power Input	340 W
Input Current	1.6 A
Net / Gross Weight	15.5 / 18.5 kg
Unit Dimension (WxDxH)	355 x 275 x 528 mm
Refrigerant Type	R410a / 200 g
Climate	T

VI. INSTALLATION

Location

1. Place the unit on a firm, level surface in an area with at least 30cm of free space around it to allow for proper air circulation.
2. Never install the unit where it could be subject to
 - Heat sources such as radiators, heat registers, stoves or other products that produce heat.
 - In an area where oil or water may be splashed
 - Direct sunlight
 - Mechanical vibration or shock
 - Excessive dust
 - Lack of ventilation, such as cabinet or bookcase
 - Uneven surface





Install the unit in rooms which exceed 4 m².
Do not install the unit in a place where inflammable gas may leak.



The manufacture may provide other suitable example or may provide additional information about the refrigerant odour.

Operating Device Safely

- Check the device after unpacking for any damages or scratches on it.
- Operate this unit in an ambient temperature from 5°C to 35°C.
- Do not use this dehumidifier outdoors. This appliance is designed for indoor household residential use only.
- Do not operate in close proximity to walls, curtains, or other objects that may block inlet and outlet.
- Keep the air inlet and outlet free of obstacles.
- Adjusting the wind deflector in the upward direction prior to start up.
- If tipped more than 45°, allow the unit to set upright for at least 24 hours before start up.
- Keep doors and windows close for better energy saving.
- Do not operate or store the unit in direct sunlight or rain.
- It is normal for air outlet to feel warm to touch after continuous operation on hot days.
- Empty the water tank before moving the device.
- Make sure the water tank is correctly fitted otherwise the unit will not operate properly.
- The dehumidifier starts up in the mode selected when the unit was last used.
- The dehumidifier starts dehumidifying if the room humidity is 3% higher than the selected humidity.
- There is a protective 3-minutes time delay of the compressor. Wait 3 minutes for the dehumidifier to resume dehumidification.

VII. OPERATION

Control Panel



POWER

- Press to turn the unit ON. The power indicator lights up, with the default fan speed set to **high** and humidity at 50%.
- Press again to turn OFF. The indicator light turns off, and the compressor and motor stop.



MODE BUTTON

Press the **Mode** button to switch between **Auto Mode** and **Continuous Dehumidification Mode**. Each press of the button cycles between the two modes, and the corresponding indicator will light up to show the selected mode.

Auto Mode

• Operation:

- When the environmental humidity is \geq **set humidity +3%**, the fan starts, and the compressor activates after a 3-second delay.
- When the environmental humidity is \leq **set humidity -3%**, the compressor stops, and the fan continues to run for 30 seconds before stopping.

• Adjustment:

- Both **fan speed** and **humidity setting** can be adjusted in **Auto Mode** to maintain the desired humidity level.

Continuous Dehumidification Mode

• Operation:

- The machine runs **continuously at high fan speed**.
- **Fan speed** can be adjusted.
- **Humidity setting** cannot be adjusted, as the unit continuously dehumidifies regardless of the current humidity level.

Sleep Mode

• Activation:

- Long press the **Mode** button to activate **Sleep Mode**.

• Features:

- All indicator lights and the display screen will be turned off or dimmed, except for the **Sleep Mode** indicator light, which remains on.
- If the **water tank is full** during **Sleep Mode**, the machine will not sound an alarm, but the **Water Tank Full** indicator (red light) will turn on, reminding you to empty the water tank.



TIMER BUTTON

The **Timer** button allows you to set, check, or cancel the operating time of the dehumidifier.

• Setting the Timer (When the timer is not active)

- Press the **Timer** button to enter the timer setting mode.
- The **digital screen** will flash, displaying the timer duration.
- While the screen is flashing, press the **HUM** button to set the desired time from 0 to 24 hours.

• Checking or Cancelling the Timer (When the timer is active)

- Press the **Timer** button once to check the remaining time. The **digital screen** will flash, showing the remaining countdown.
- To **cancel the timer**, press the **Timer** button again while the screen is flashing.



FAN SPEED BUTTON

Press the **Fan Speed** button to toggle between high and low fan speed. The corresponding indicator light will illuminate to show the selected speed.



SET BUTTON

Press the **Set** button to adjust the humidity level or timer duration;

- To humidity adjusting, press one time to add 5% humidity value, the humidity adjusting follow the order as below: 30% - 35% - 40% - 45% - 50% - 55% - 60% - 65% - 70% - 75% - 80% - 30% cycle
- To timing, press one time to add 1 hours timing value, the timing follow the order as below: 01-02-03-04-05-06-07-08-09-10-11-12-13-14-15-16-17-18-19-20-21-22-23-24 cycle



CHILD LOCK

- To activate the child lock function, press and hold this button for **3 seconds**. The indicator light will turn on, and the other buttons will be disabled to prevent accidental operation.
- To deactivate the child lock, press and hold the button again for **3 seconds**. The indicator light will turn off, and the buttons will be functional again.



SWING BUTTON

Press the swing button to activate the swing function, which will allow the airflow to move automatically. Press the button again to fix the wind direction in a stationary position.

Three - Color Light



(Displays the ambient humidity: under the startup state, the three-color light displays the current ambient humidity)

- When the ambient humidity (Hr) is less than 45%, the three-color light displays blue.
- When the ambient humidity (Hr) is between 45% and 65% (inclusive), the three-color light displays green.
- When the ambient humidity (Hr) exceeds 65%, the three-color light displays red. The light will also display red if a fault occurs.

Auto Defrost Function

When the ambient temperature is low, the unit will automatically enter the defrosting mode. During defrosting, the corresponding mode indicator will flash, and the compressor will stop working temporarily while the defrost process is in progress.

VIII. DRAINAGE

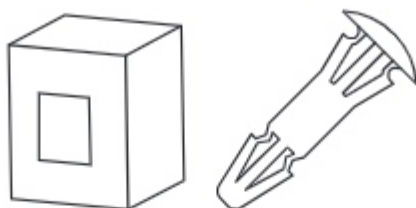
Emptying the Water Tank

- When the water tank is full, the unit will emit a buzzing sound, the screen will display "FL," and the "Water Full" indicator light will turn on.
- Press the **POWER** button to turn off the unit.
- Pull the water tank out by gently sliding it from the body of the dehumidifier.
- Empty the water into a drain area or dispose of it outside.
- Clean both the inside and outside of the water tank.
- Reinsert the emptied water tank back into the unit securely.
- Press the **POWER** button to resume operation.
- If the "Water Full" indicator light remains on, ensure the float is correctly positioned.



Warning

1. Do not remove or discard the water tank magnets and plastic rivets. If removed, the machine will not automatically stop when the tank is full, causing the condensed water to overflow and potentially damage the floor.



2. Always ensure the water tank is emptied before resetting the machine's working mode.
3. If the water tank is dirty, rinse it with clean water. Do not use detergents, steel wool, chemical dust removers, diesel oil, benzene, or other solvents, as these can damage the tank and cause leaks.
4. Make sure the empty water tank is properly replaced into the unit. If not, the "Water Full" indicator may stay red, and the machine will not restart.

Continuous Drainage

For continuous operation or unattended dehumidification, connect the provided drain hose to the unit. Condensate water will automatically flow into a bucket or drain by gravity.

1. Straighten the drainage pipe
2. Insert one end of the drain into the drain into the cistern hole and connect the other end to the bathroom, outdoor or bucket like container, or the prescribed drainage area.

Warning

1. Please do not block the drain or drain pipe, if the phenomenon of blocking, condensed water will flow into the water tank.
2. Please do not bend the drain pipe. The height of the drain pipe should be lower than the outlet.
3. The drain pipe shall be securely connected to the outlet;



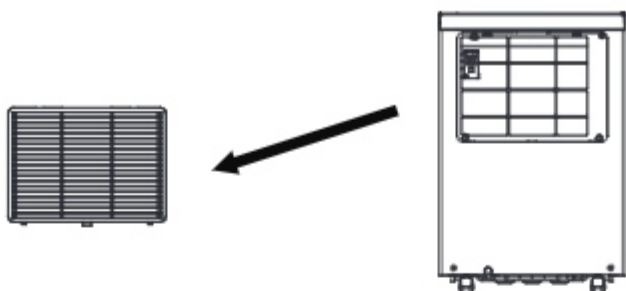
IX. MAINTENANCE

Note: Before cleaning and maintaining the machine, be sure to turn off the machine and pull the power plug to prevent electric shock.

Cleaning the Air Filter (every two weeks)

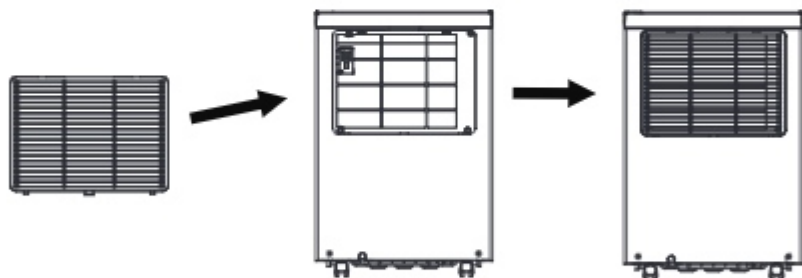
- Dust can accumulate on the filter, restricting airflow. This reduced airflow decreases system efficiency and, if the filter becomes blocked, could cause damage to the unit.
- Regular cleaning of the air filter is necessary. The filter is removable for easy cleaning. Do not operate the unit without the air filter, as this may lead to contamination of the evaporator.

1. Pull out the filter from the bottom of the rear shell.



2. Use a vacuum cleaner to gently remove dust from the surface of the filter.
If the filter is heavily soiled, wash it with water and a mild detergent. After washing, ensure the filter is thoroughly dried before reattaching it.

3. Put the filter back.



X. TROUBLESHOOTING

1. Functioning Temperature:

- **Operating Range:** 5°C ≤ Ambient Temp. ≤ 35°C

If the ambient temperature is outside the operating range, the dehumidifier will stop working. However, if the temperature drops below 18°C to 5°C, the unit will enter defrost mode.

- **Defrost Mode:** When the ambient temperature is between 5°C and 18°C, the compressor will automatically defrost at intervals. During this time, the compressor will stop while the fan continues running.

2. Before Calling for Service:

Before contacting professional service, please review the troubleshooting list. Some issues are common and not the result of defects in workmanship or materials.

Problem	Possible Cause	Solution
Not working	No power supply	Connect to a functioning outlet and switch on.
	Water full indication flashes	Drain water tank and reset it, or reposition the water tank to right place.
	Room temperature < 5°C, or > 35°C	Self-Protection designed to protect the unit. Cannot work under such temperature.
Bad functioning	Is the air filter clogged?	Clean the air filter as instructed.
	Is the intake duct or discharge duct obstructed?	Remove the obstruction from the discharge duct or intake duct.
No air intake	Is the filter clogged?	Wash the filter
Loud noise when running	Is the machine put in the flat place?	Put the machine on the flat ground.
	Is the filter clogged?	Wash the filter
E2	Ambient temperature and humidity sensor problem	Change a sensor.
E1	The defrosting sensor is faulty	
FL	Water full protection	Dump the water in the tank in time.
If the ambient is too low, the ambient temperature is too high, or the ambient temperature is too low.		There will be no error code, the machine is running abnormally.

VIII. DECOMMISSIONING

Storage

Long-term storage - If you will not be using the unit for an extended period of time (more than a few weeks) it is best to clean the unit and dry it out completely. Please store the unit per the following steps:

1. Press power button to switch off and unplug the unit.
2. Drain the remaining water from the unit.
3. Clean the filter and let the filter dry completely in a shaded area.
4. Collect the power cord at the water tank.
5. Re-install the filter at its position.
6. The unit must be kept in upright position when in storage.
7. Preserving the machine in ventilating, dry, non-corrosive gas and safe place indoor.

ATTENTION:

The evaporator inside the machine has to be dried out before the unit is packed to avoid component damage and molds. Unplug the unit and place it in a dry open area for days to dry it out. Another way to dry the unit is to set the humidity point more than 5% higher than the ambient humidity to force the fan to dry the evaporator for a couple of hours.

Disposal



WARNING!!!

Releasing refrigerant into atmosphere is strictly forbidden!

Do not dispose of electrical appliances as unsorted municipal waste, use separate collection facilities. Contact your local government for information regarding the collection systems available. If electrical appliances are disposed of in landfills or dumps, hazardous substances can leak into the groundwater and get into the food chain, damaging your health and well-being.

The design and specifications are subject to change without prior notice for product improvement. Any updates to the manual will be uploaded to the service website, please check for the latest version.

If you have any concerns, please contact us at the following:

Customer hotline: **(02) 8852-6868**

Text hotline: **+63 917-881-8982**

Email: **customerservice@kolinphil.com.ph**

Also, please like and follow us on social media accounts:

Facebook: kolinphilippines

Instagram: kolinphilippines

Youtube: kolinphilippines

Tiktok: kolinphilippines

Website: www.kolinphil.com.ph

KPI121824



Kolin Phils. Int'l., Inc.

SERVICE CENTERS

BRANCH	ADDRESS	TEL. NO.
Bacolod	Door #A-2 & A-3 UTC Bldg., Alunan St., Brgy. 36, Bacolod City	(034) 466-9145
Cagayan De Oro	Door #3 De Oro Land Bldg., Julio Pacana St., Puntod, Cagayan de Oro City	(088) 557 - 7353
Cebu	Lot 758-B-1, P. Suico St. Upper Tabok, Mandaue City, Cebu	(032) 234 - 1844
Dagupan	Unit #1 107 Caranglaan District, Dagupan City, Pangasinan	(075) 529 - 0587
Davao	Blk 17 Lot 9, Calamansi St., Juna Subd., Matina, Davao City	(082) 272 - 0048
Iloilo	Door# 4,5 & 7, D' Appliance Arcade, South Fundidor, Molo, Iloilo City	(033) 337 - 5914
Pampanga	LRK Commercial Bldg., Jose Abad Ave., Lagundi, Mexico, Pampanga	(045) 455 - 2934

For More air conditioner tips, please like, share and follow us on our social media accounts:

Facebook : [kolinphilippines](#)
Instagram : [kolinphilippines](#)
Youtube : [kolinphilippines](#)
Tiktok : [kolinphilippines](#)
Website : www.kolinphil.com.ph

OFFICE

Kolin Bldg. 1854 Sta. Rita St.,
Guadalupe Nuevo, Makati City, 1212
Service Hotline: (632) 8852 - 6868

PLANT

Blk 3 Lot 5, Main Drive First Cavite
Industrial Estate, Langkaan 1,
Dasmariñas City, Cavite
Tel. No.: (046) 402-0793